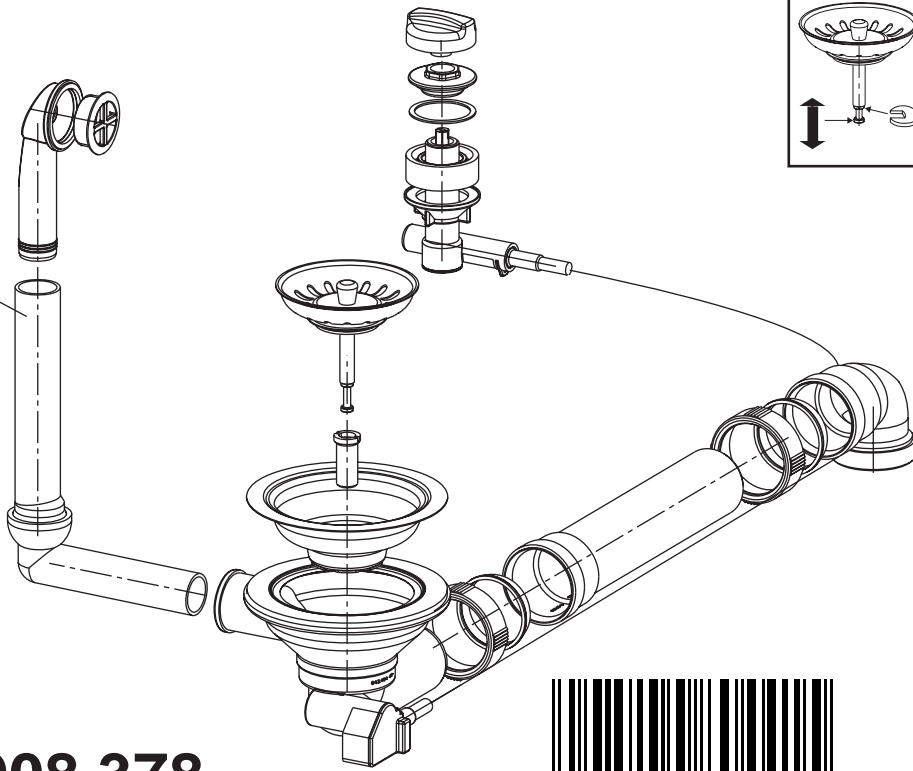


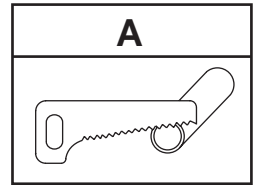
A



112.0008.378
E 800.441



4 008240 804415



37.208.00..S001