

## HL660/2

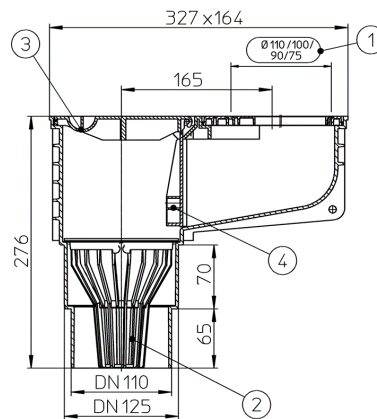
Rain hopper DN110/125 with leaf strainer, adapter rings d 75-110mm and frost-proof flap seal



Minimax-rain hopper DN110/125 with leaf strainer, adapter rings d 75 - 110 mm and frost- and drought-proof flap seal



### Techn. drawing



### TECHNICAL DATA

<b>material</b>	PP	<b>installation height</b>	180 mm
<b>dimension</b>	DN110/125	<b>grate frame</b>	
<b>capacity</b>	6,67 l/s	<b>grate</b>	
<b>weight</b>	0,8	<b>load class</b>	

EAN

9003076011902

inlet

standards

## MAIN DATA

### spare parts



**HL0600.1E**

adapter rings d 75, 90, 100 and 110mm



**HL0600.2E**

Leaf strainer



**HL0600.3E**

cleaning eye



**HL0600.4E**

flap



**HL0600.8E**

adapter ring d 120mm

### attachment



**HL0600.0E**

adapter rings for cast iron pipes



**HL0600.5E**

adapter ring squared 80-100mm



**HL0600.7E**

adapter ring d 80mm



**HL0600.8E**

adapter ring d 120mm



**HL601**

Extension 50mm

### Alternatives



**HL660/2-80**

Rain hopper DN110/125 with leaf strainer, adapter rings d 80mm and frost-proof flap seal

### extensions



**HL601**

Extension 50mm

## PACKAGING DATA

### carton

**unit** 1 [pcs.]

**weight** 1,04 [kg]

**EAN/pack.** 9003076011902

**height/width/depth** 170/280/330 [mm]

**volume** 0,015708 [m<sup>3</sup>]

#### single use pallet

**unit** 132 [pcs.]

**weight** 157 [kg]

**EAN/pack.**

**height/width/depth** 2100/1000/1300 [mm]

**volume** 2,73 [m<sup>3</sup>]

#### DOWNLOADS

<b>Foto Print</b>	<b>HL660_2_pr.tif</b>	max.
<b>Foto Web</b>	<b>HL660_2_B.jpg</b>	640x480/300dpi
<b>Foto Parts List</b>	<b>HL660_2_gr.jpg</b>	150x150/72dpi
<b>Techn. drawing</b>	<b>HL660_2_1_b.pdf</b>	pdf
<b>CAD</b>	<b>HL660_2_2_b.dxf</b>	dxf