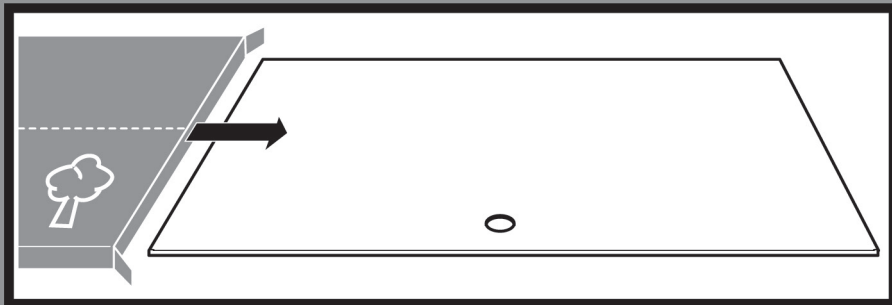
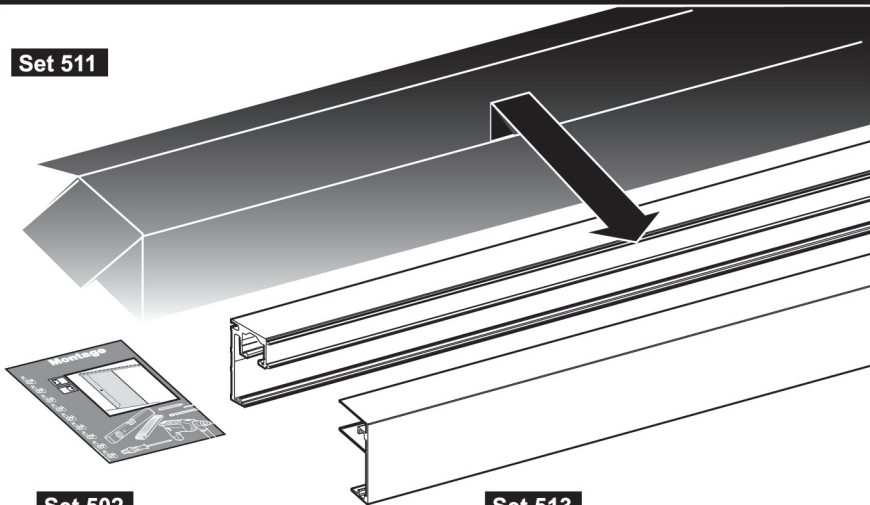


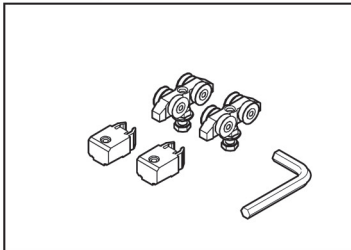
(mm)



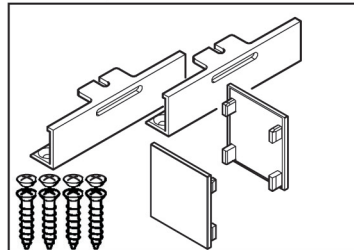
Set 511



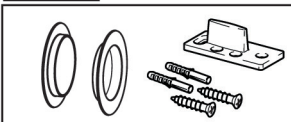
Set 502



Set 513

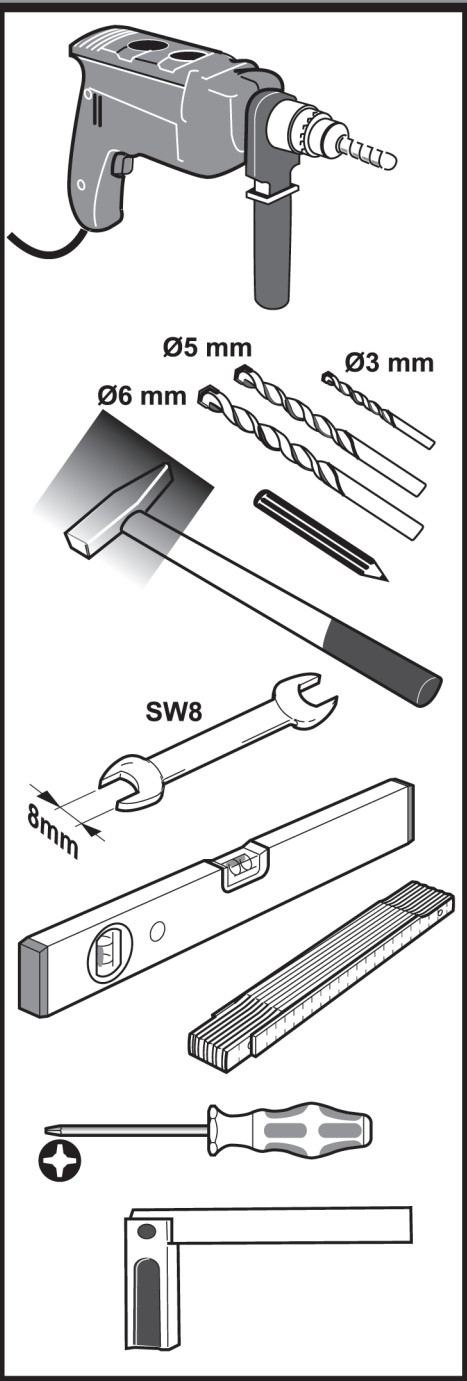
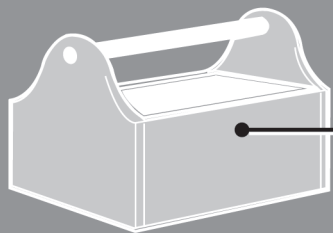


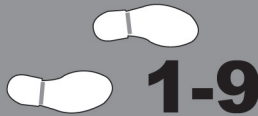
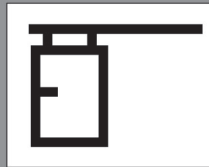
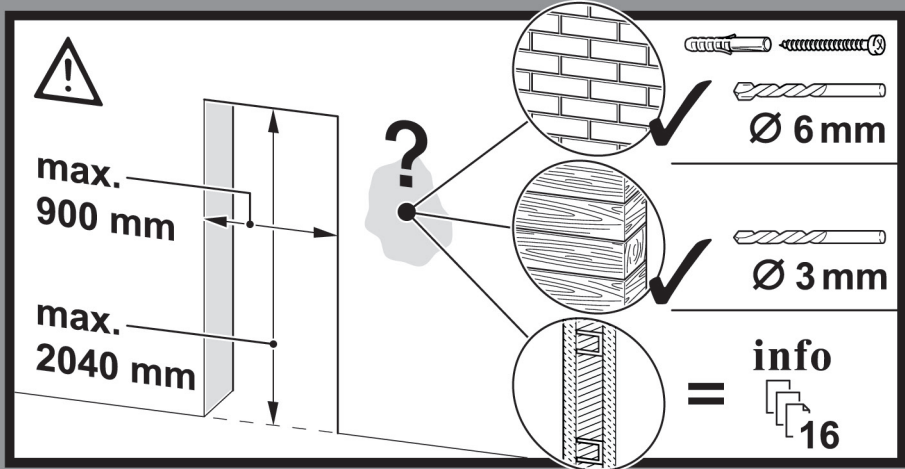
Set 515



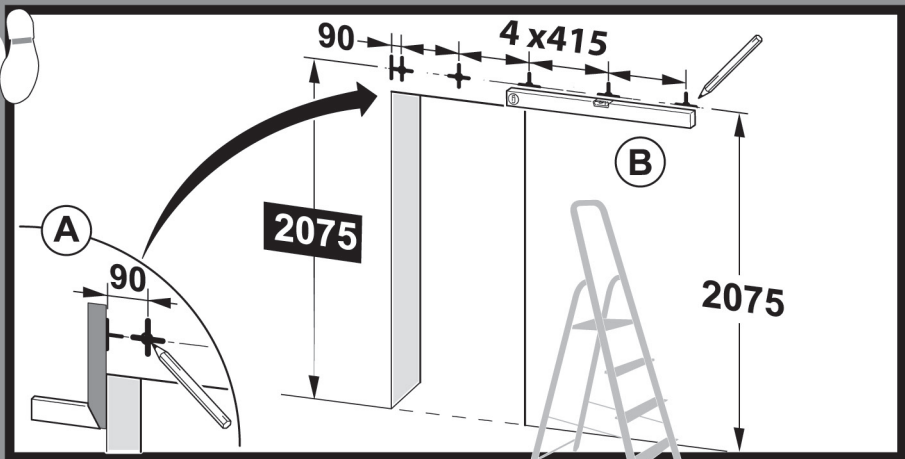
Set 506

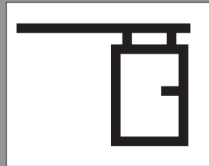






6,8,10,12,14

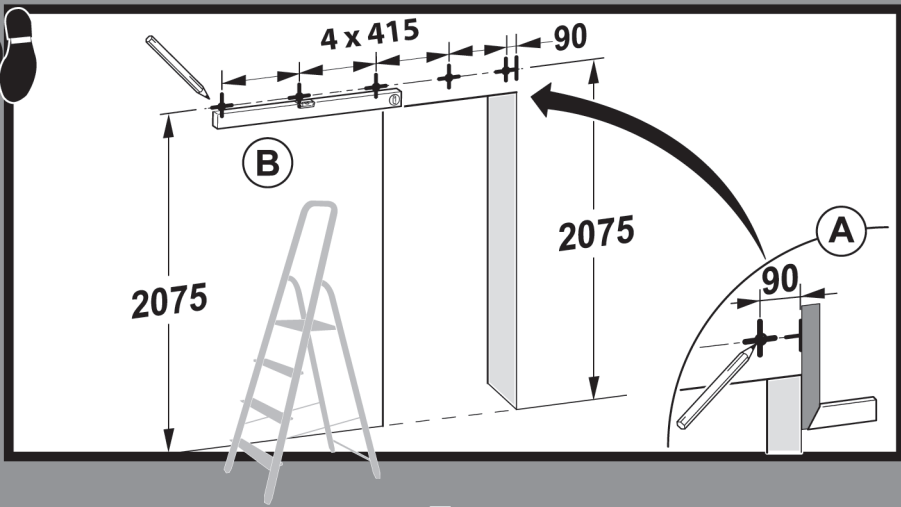




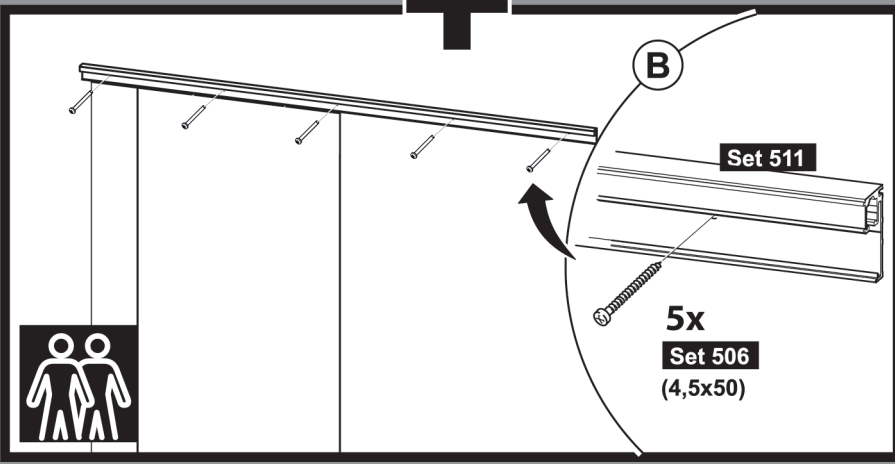
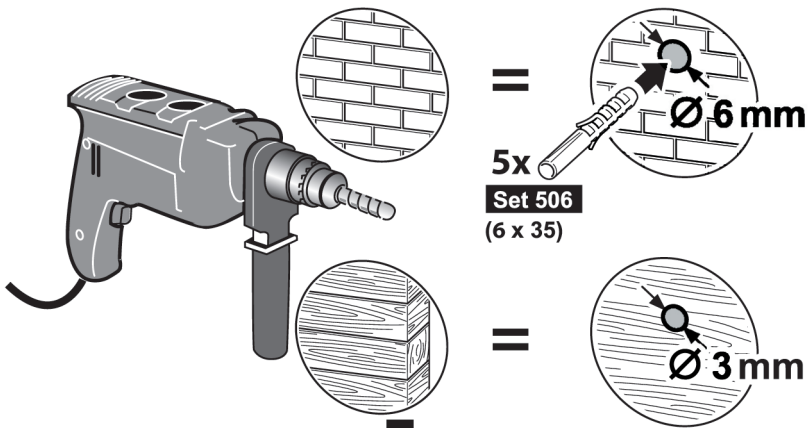
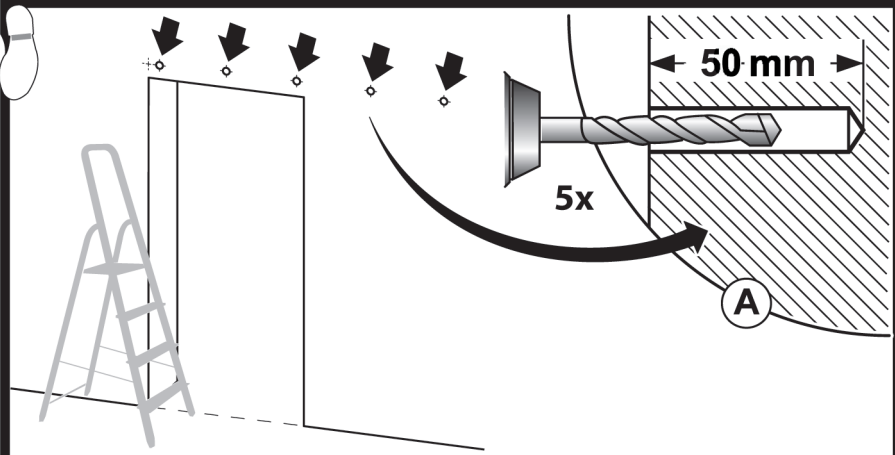
1-9



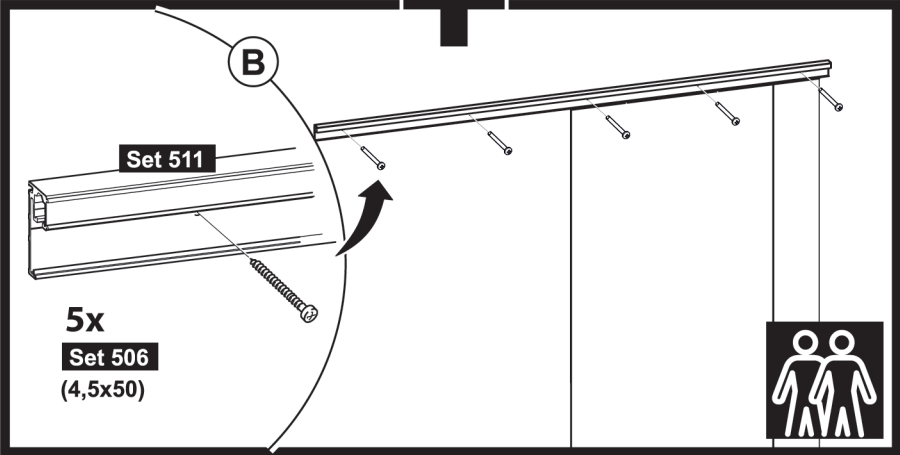
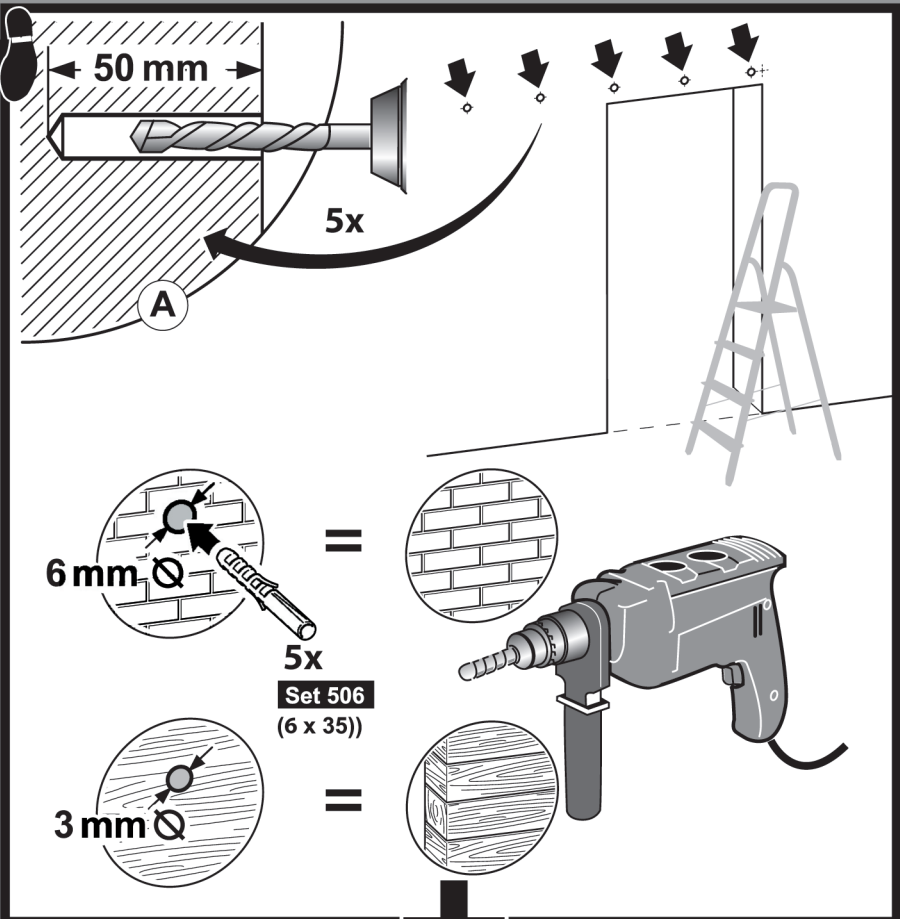
7,9,11,13,15



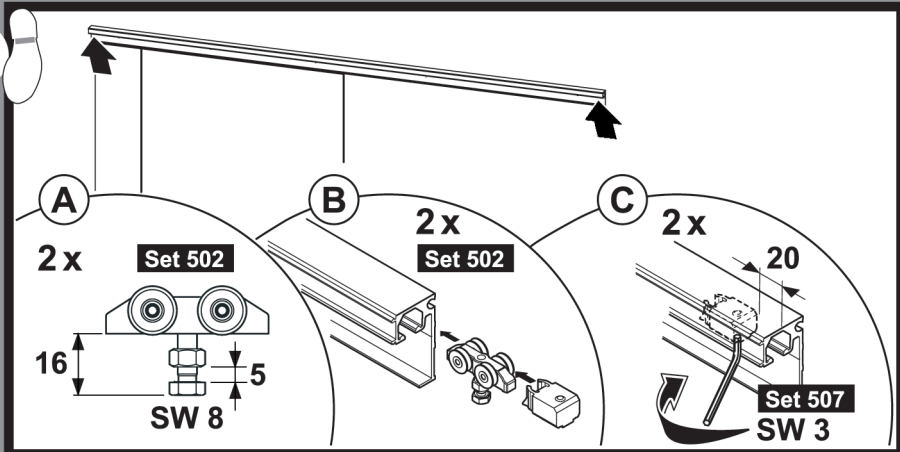
2



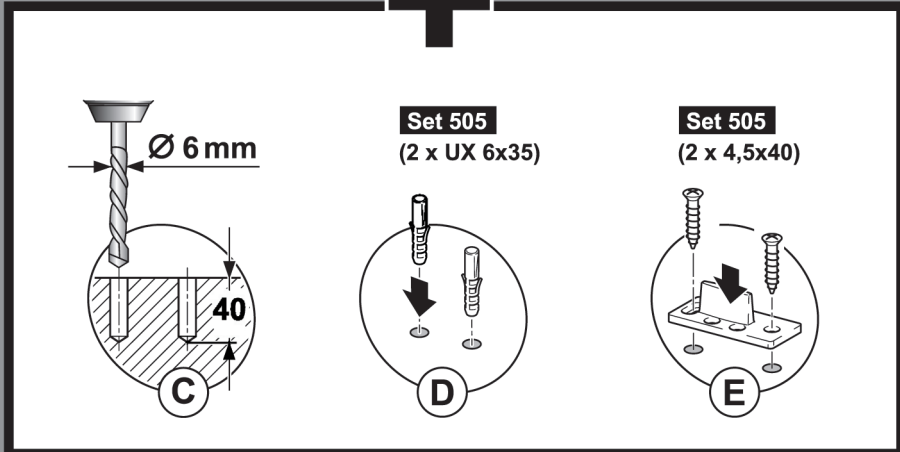
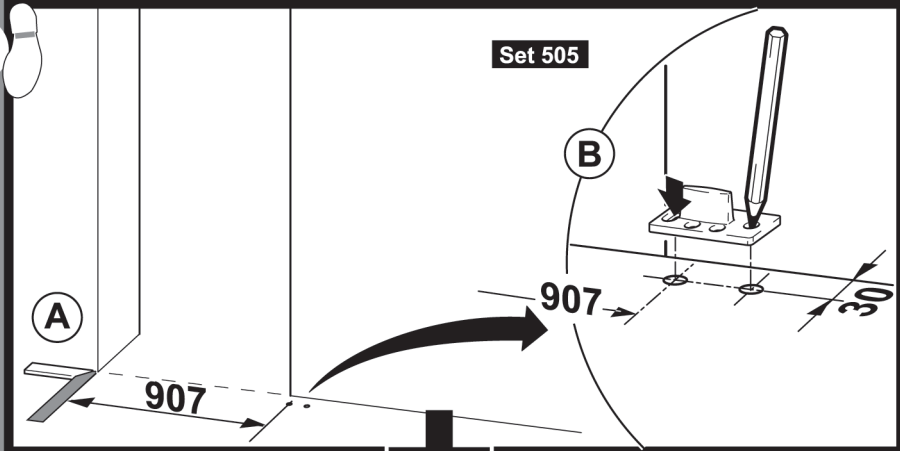
2



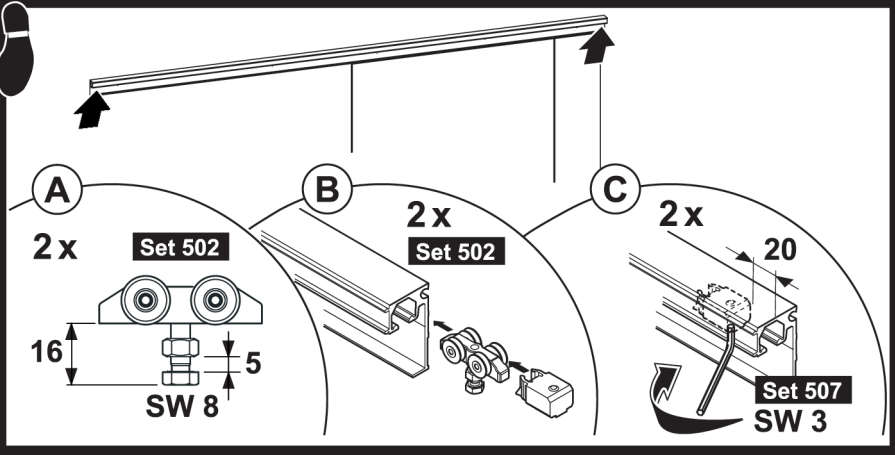
3



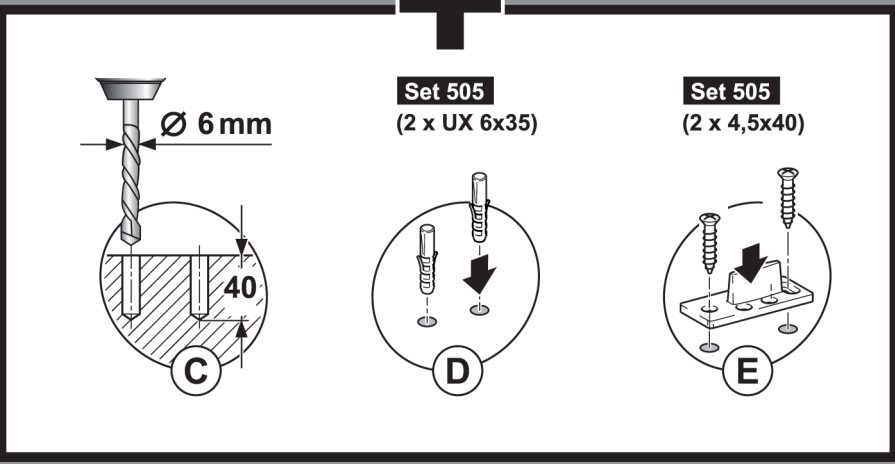
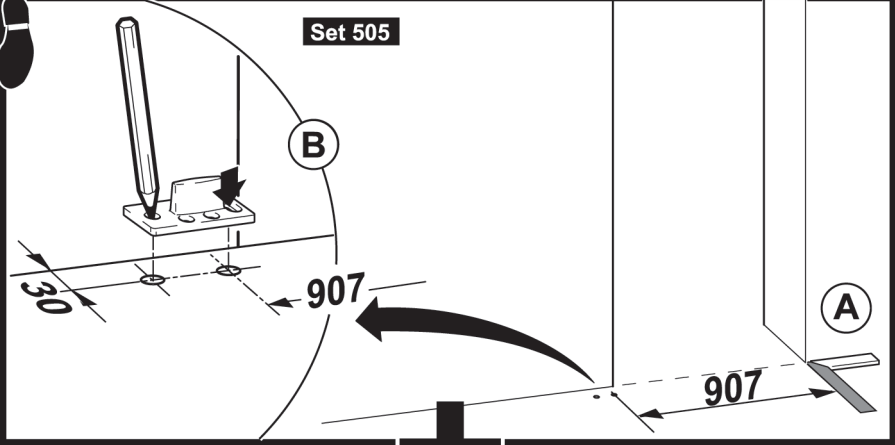
4



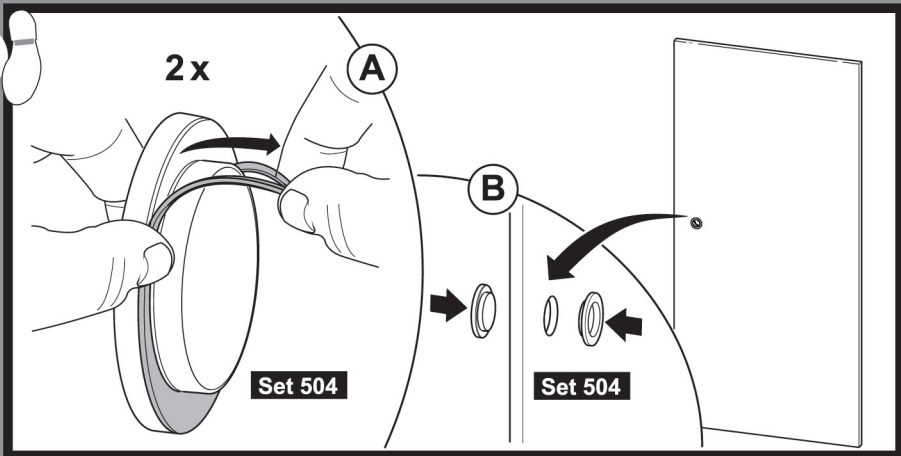
3



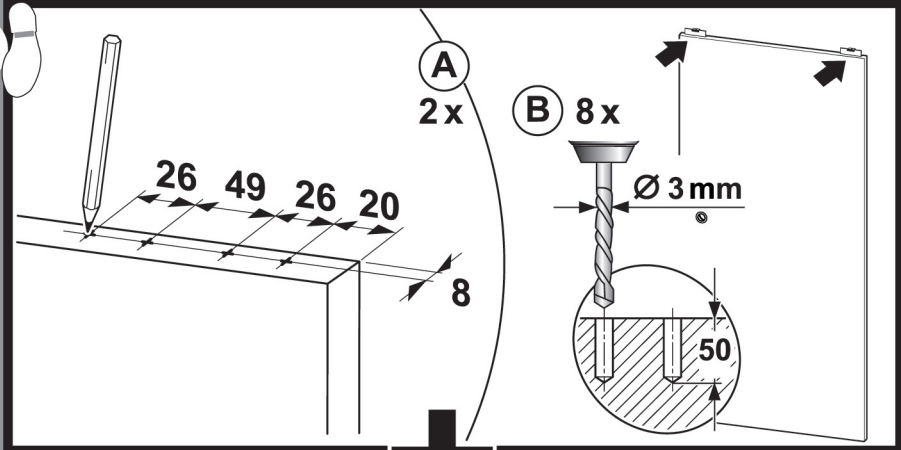
4



5

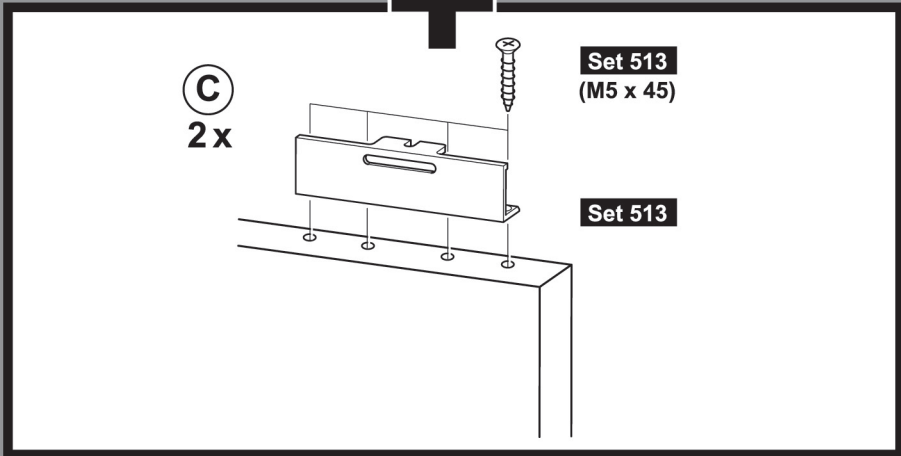


6

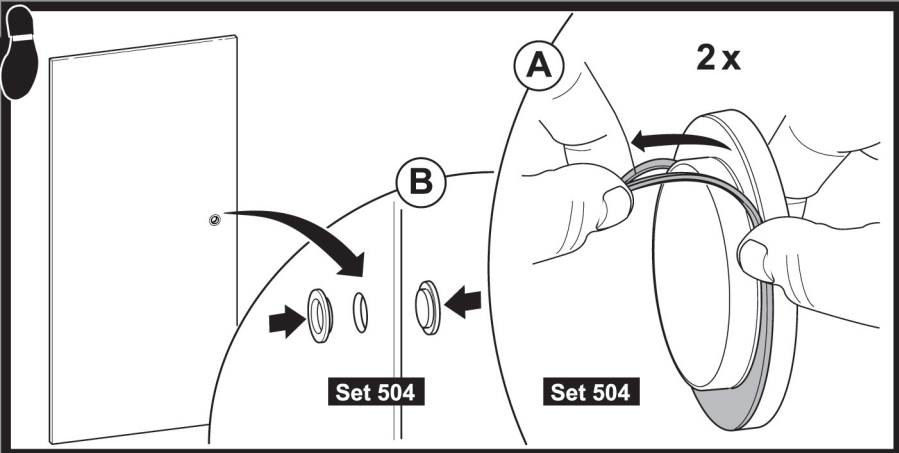


C

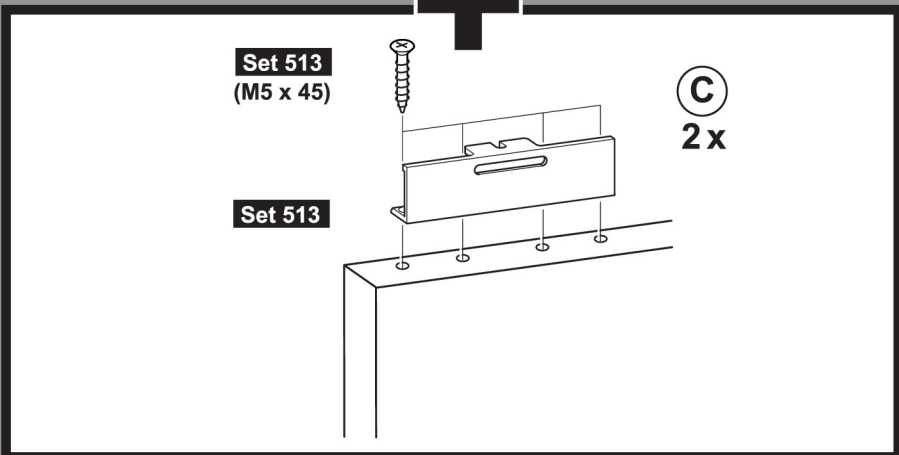
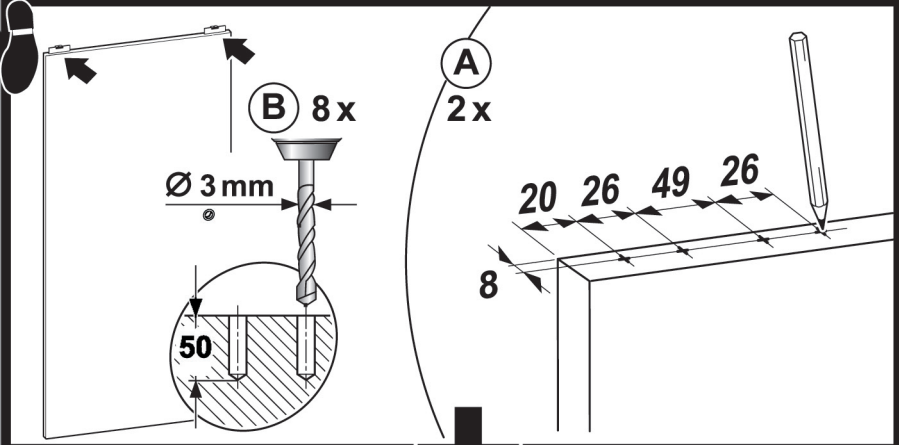
2x



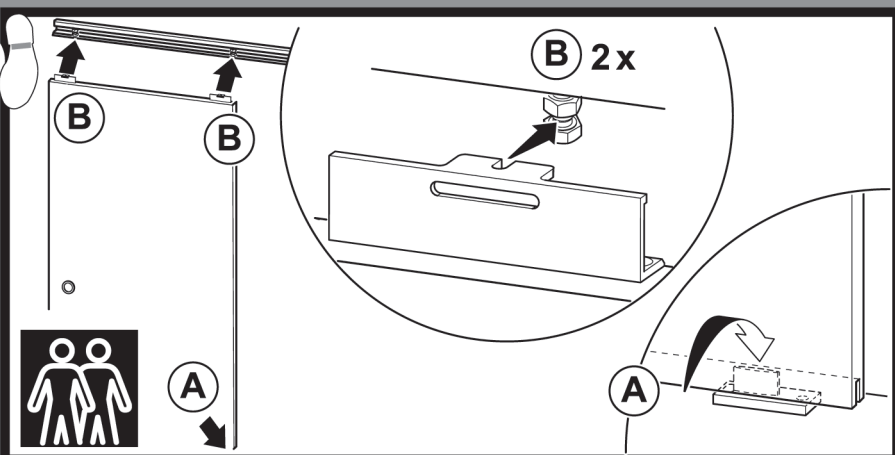
5



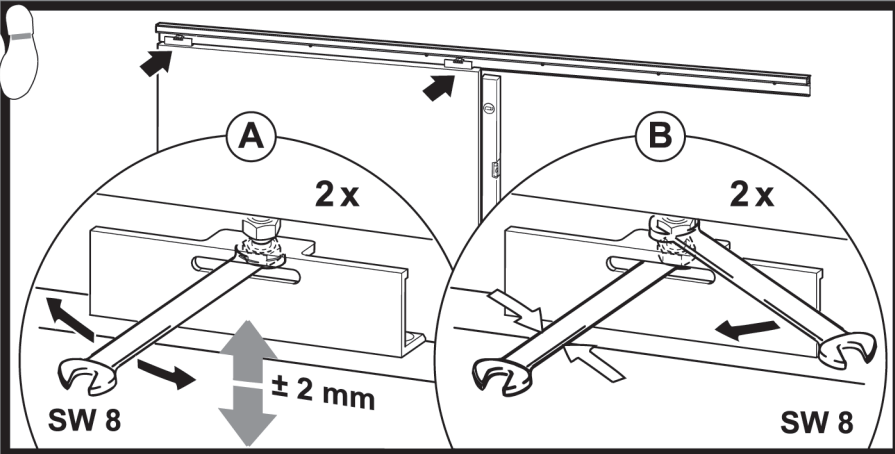
6



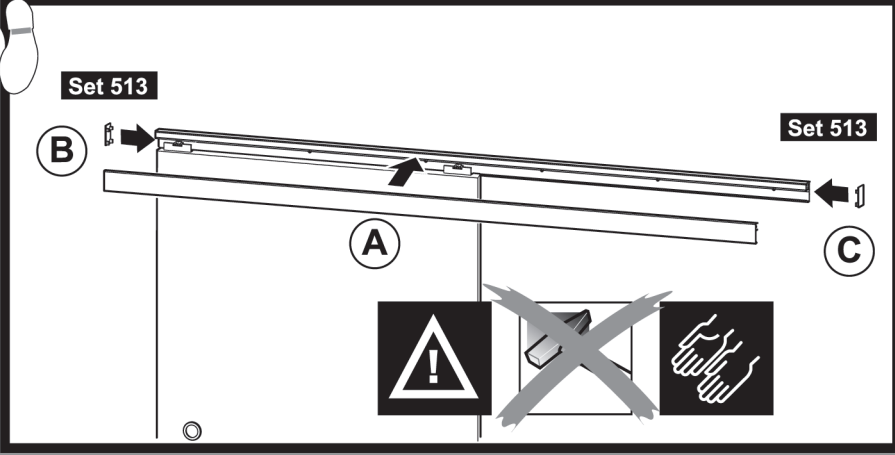
7



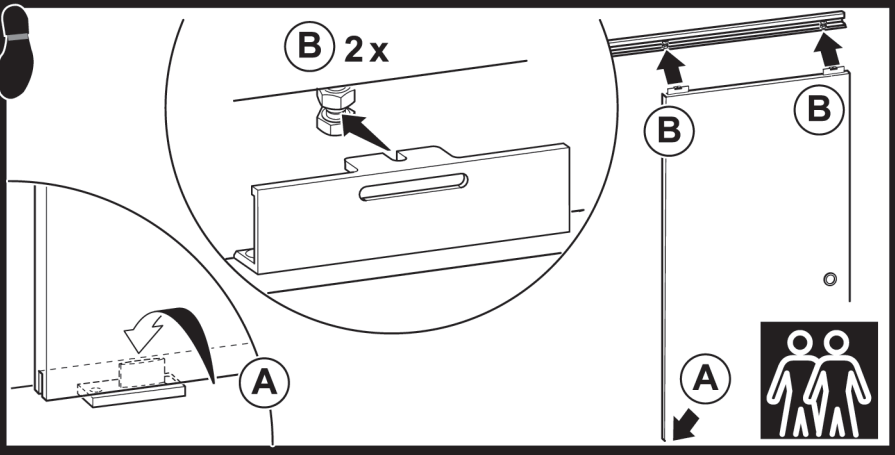
8



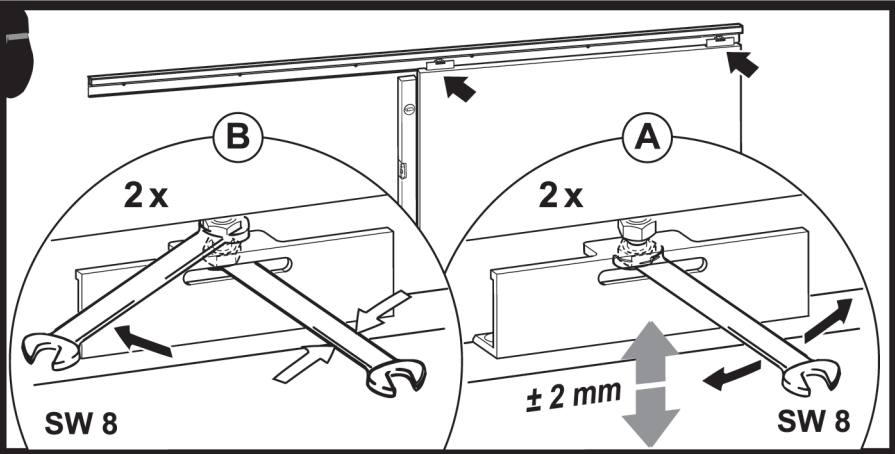
9



7



8



9

